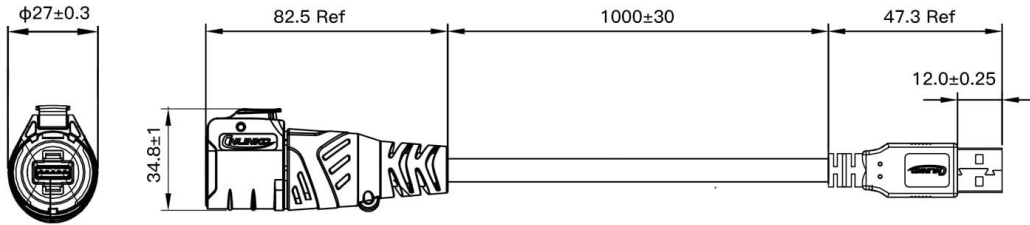




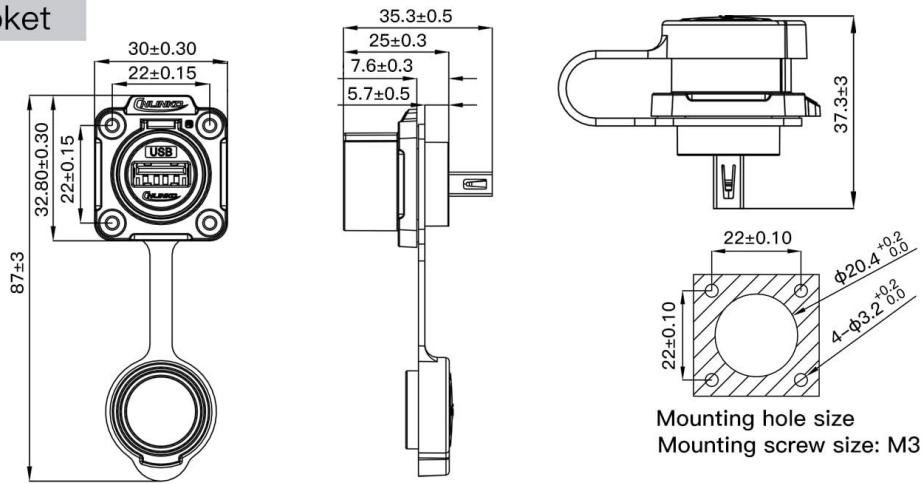
# Standard Size

Plug



Unit:mm



Socket



# Connector Specifications

Model Map		
Model	LP-20 USB2.0	LP-20 USB3.0
Rated Current	1.5A	1.8A
Rated Voltage	5V AC	5V AC
Transmission Speed	480 Mbps	5Gbps
Withstanding Voltage	100V AC	
Contact Resistance Max	30mΩ	
Insulation Resistance Min	100MΩ	
Protection Level	IP68(2m/48h)	
Mechanical Life	over 500 cycles	
Operating Temperature	-25°C~+85°C	
Salt Spray	≥48H	
Certifications	TUV, UL,CE, RoHS,ISO9001	