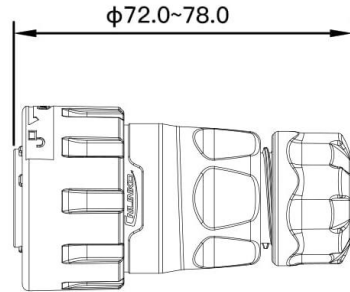
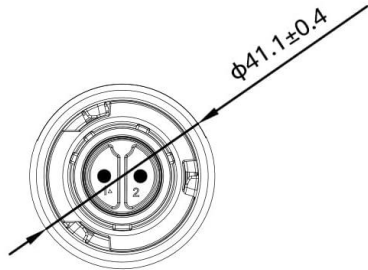




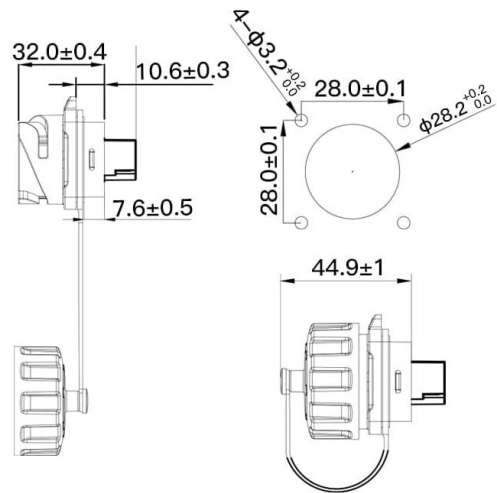
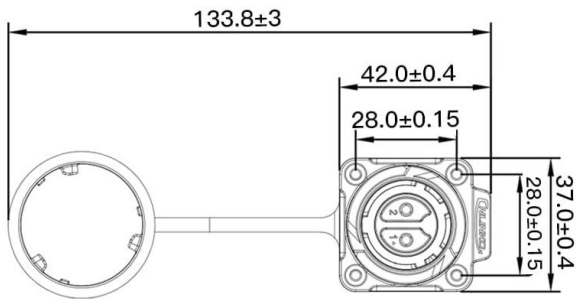


Standard Size


Plastic & Metal Plug



Four-Hole Socket



Connector Specifications

Product Map (Male)							
Product Map (Female)							
Number of Pins	2pin	3pin	4pin	10pin	12pin	19pin	24pin
Rated Current	25A			10A		5A	
Working Voltage	500V AC			500V AC		250V AC	
Withstanding Voltage	2000V AC			2000V AC		1500V AC	
Contact Resistance Max	1.0mΩ			3.0mΩ		5.0mΩ	
Insulation Resistance Min	500MΩ						
Contact Diameter x Number	φ3.0*2	φ3.0*3	φ3.0*4	φ1.5*10	φ1.5*12	φ1.0*19	φ1.0*24
Wire Gauge	2.5~4.0mm ² /14~12AWG			1.0~1.5mm ² /18~16AWG		0.34~0.5mm ² /22~20AWG	
Cable O.D Range	φ10.5~φ13.2mm			φ7~φ10.5mm		φ10.5~φ13.2mm	
Connection Method	Soldering						
Protection Level	IP68(mated,2m/48h)						
Mechanical Life	Over 2000 Times						
Operating Temperature	-25°C ~ +85°C						
Vibration	Frequency: 50~1000Hz, Amplitude:5mm, Speed 10m/s, 0.1 us without instantaneous disconnection.						
Salt Spray	≥48H						
Certifications	TUV, UL,CE, RoHS						