

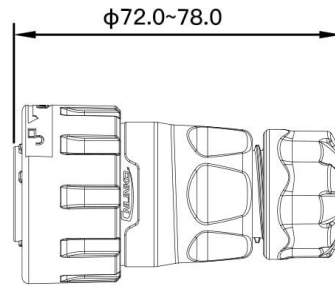
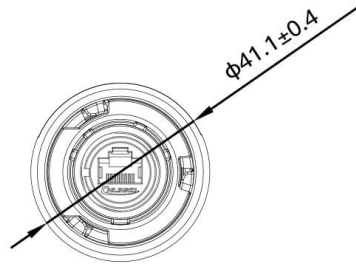




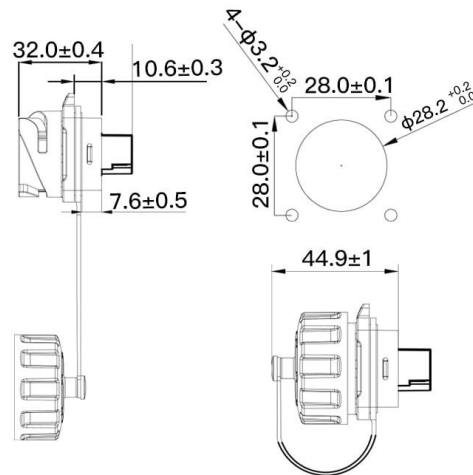
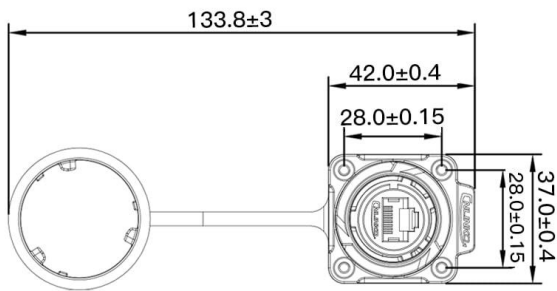
RJ45 Set Standard Size

Plastic & Metal Plug

unit: mm



Four-Hole Socket



Connector Specifications

Model Map	
Model	RJ45
Rated Current	1.5A
Rated Voltage	125V AC
Transmission Speed	CAT.3
Contact Resistance Max	30mΩ
Insulation Resistance Min	500MΩ
Contact Points	8
Wire Gauge	φ5-φ7mm
Temperature Rise Max	30k
Protection Level	IP68(2m/48h)
Mechanical Life	Over 2000 Times
Operating Temperature	-40°C ~ +120°C
Salt Spray	≥48H
Certifications	TUV, UL,CE, RoHS