

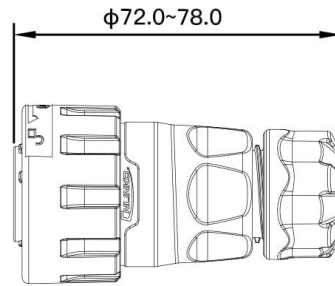
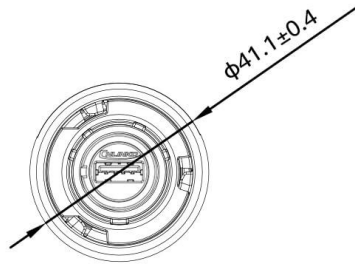




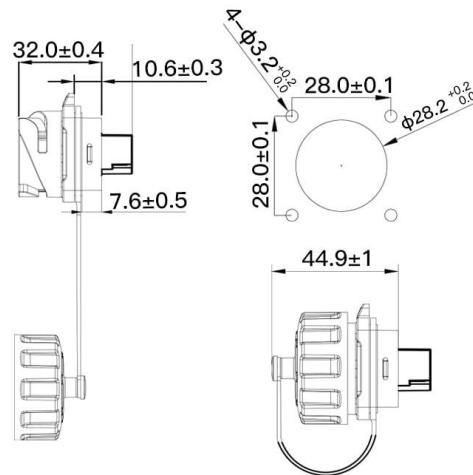
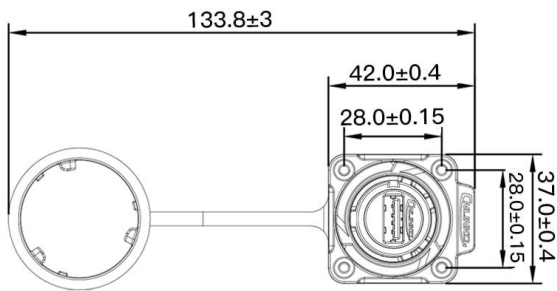
# USB3.0 Set Standard Size

Plastic & Metal Plug


unit: mm



Four-Hole Socket



# Connector Specifications

Model Map	
Model	USB3.0
Rated Current	1.8A
Rated Voltage	5VAC
Transmission Speed	5Gbps
Wire Gauge	φ5-φ7mm
Contact Resistance Max	30mΩ
Insulation Resistance Min	100MΩ
Contact Points	9
Temperature Rise Max	30K
Protection Level	IP68(2m/48h)
Mechanical Life	Over 2000 Times
Operating Temperature	-40°C ~ +120°C
Salt Spray	≥48H
Certifications	TUV, UL,CE, RoHS