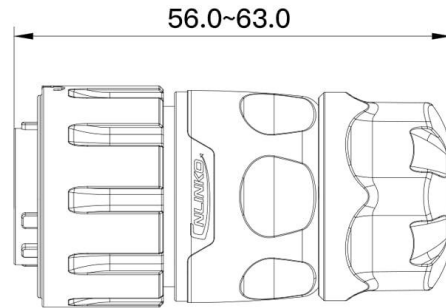
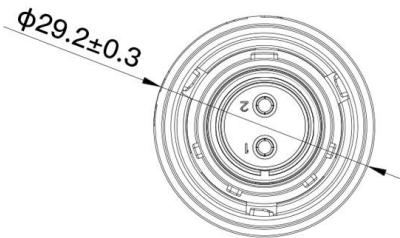




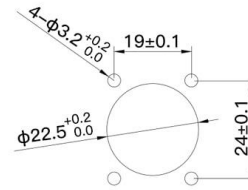
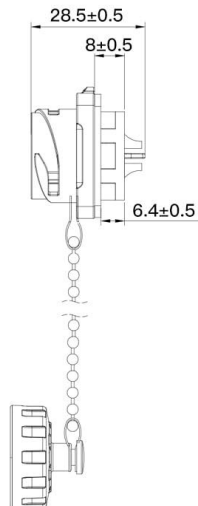
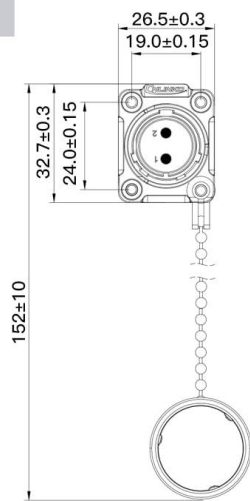
Standard Size

unit:mm

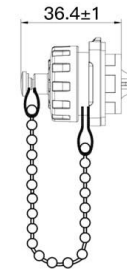
Plug



Socket



Mounting hole size
Mounting screw size:M3



Connector Specifications

Product Map (Female)							
Product Map (Male)							
Number of Pins	2pin	3pin	4pin	5pin	7pin	9pin	12pin
Rated Current	20A			10A		5A	
Working Voltage	500V AC			500V AC		250V AC	
Withstanding Voltage	2000V AC			2000V AC		1500V AC	
Contact Resistance Max	1.0mΩ			3.0mΩ		5.0mΩ	
Insulation Resistance Min	500MΩ						
Contact Diameter x Number	φ2.7x2	φ2.7x3	φ2.7x4	φ1.8x5	φ1.8x7	φ1.0x9	φ1.0x12
Wire Gauge	2.5~4.0mm²/14~12AWG			1.0~1.5mm²/ 18~16AWG		0.34~0.5mm²/22~20AWG	
Cable O.D Range	φ10.0-φ12.0mm			φ10.0-φ12.0mm		φ5.0-φ6.5mm	
Connection Method	Soldering						
Protection Level	IP68(mated,2m/48h)						
Mechanical Life	Over 2000 Times						
Operating Temperature	-40°C ~120°C						
Salt Spray	≥48H						
Certifications	TUV, UL,CE, RoHS						