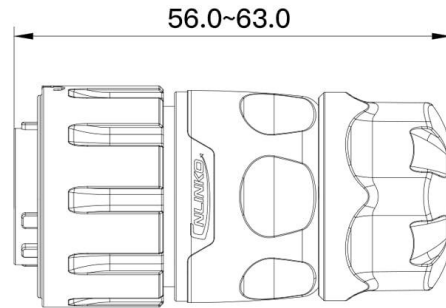
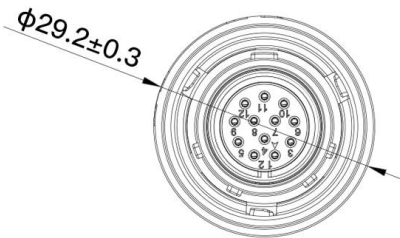




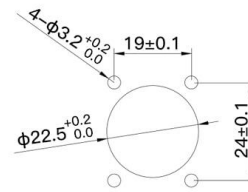
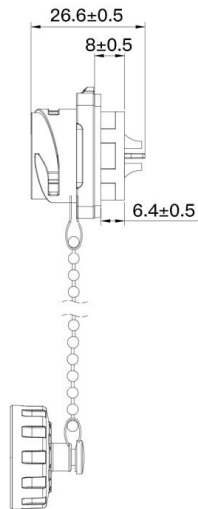
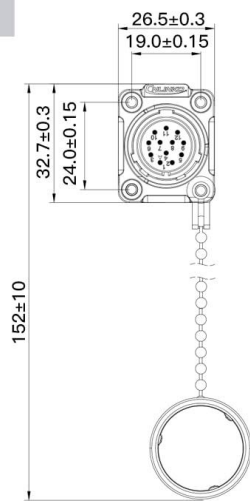
Standard Size

unit:mm

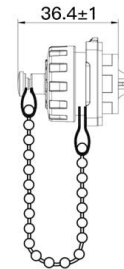
Plug



Socket



Mounting hole size
Mounting screw size:M3



Connector Specifications

| | | | | | | | |
|---------------------------|---|---|---|---|--|---|---|
| Product Map (Female) |  |  |  |  |  |  |  |
| Product Map (Male) |  |  |  |  |  |  |  |
| Number of Pins | 2pin | 3pin | 4pin | 5pin | 7pin | 9pin | 12pin |
| Rated Current | 20A | | | 10A | | 5A | |
| Working Voltage | 500V AC | | | 500V AC | | 250V AC | |
| Withstanding Voltage | 2000V AC | | | 2000V AC | | 1500V AC | |
| Contact Resistance Max | 1.0mΩ | | | 3.0mΩ | | 5.0mΩ | |
| Insulation Resistance Min | 500MΩ | | | | | | |
| Contact Diameter x Number | φ2.7x2 | φ2.7x3 | φ2.7x4 | φ1.8x5 | φ1.8x7 | φ1.0x9 | φ1.0x12 |
| Wire Gauge | 2.5~4.0mm ² /14~12AWG | | | 1.0~1.5mm ² / 18~16AWG | | 0.34~0.5mm ² /22~20AWG | |
| Cable O.D Range | Φ10.0-Φ12.0mm | | | Φ10.0-Φ12.0mm | | Φ5.0-Φ6.5mm | |
| Connection Method | Soldering | | | | | | |
| Protection Level | IP68(mated,2m/48h) | | | | | | |
| Mechanical Life | Over 2000 Times | | | | | | |
| Operating Temperature | -40°C ~120°C | | | | | | |
| Salt Spray | ≥48H | | | | | | |
| Certifications | TUV, UL,CE, RoHS | | | | | | |