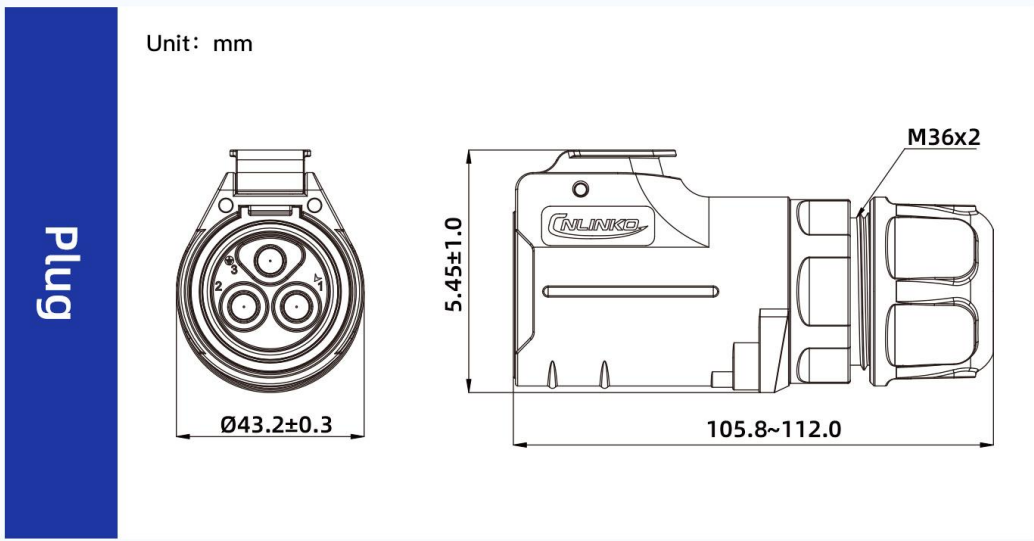


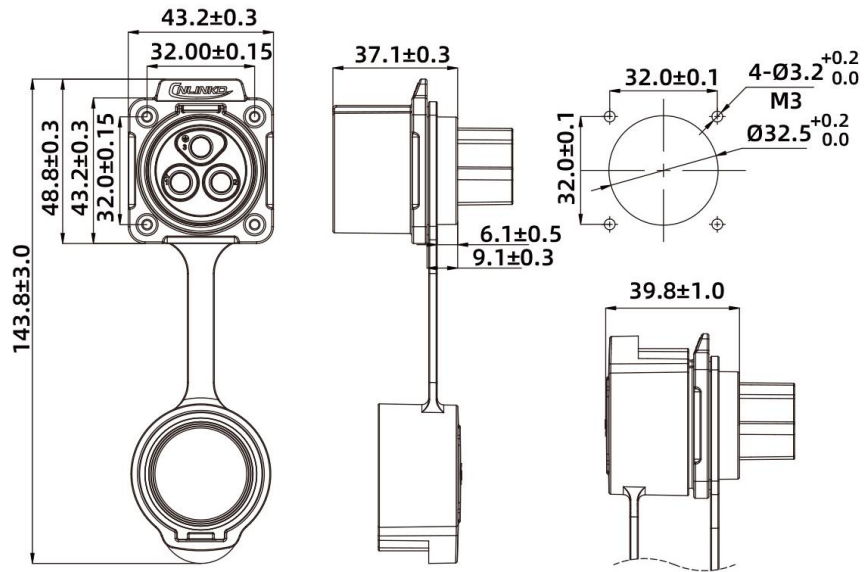


-Product Dimensions-







Four Hole Flange socket

Unit: mm



-LP32 Series Specifications-

PIN	3PIN	5PIN	
Male			
Female			
Rated Current	100A(Temperature Rise < 55K)	50A(Temperature Rise < 50K)	
Rated Voltage	500V AC	500V AC	
Withstand Voltage	3000V AC	3000V AC	
Contact Resistance	0.3mΩ	0.5mΩ	
Insulation Resistance	500MΩ	500MΩ	
Wire Gauge	16mm ² / 6AWG	10mm ² / 8AWG	10~16mm ² / 8~6AWG
Terminal Type	Crimping	Crimping	soldering
Cable OD	3*φ6.0mm	5*φ4.0mm	5*φ4.0mm
Protection Rating	IP68(3m water depth for 1 hour)/IPX9K(Connection Status)		
Mechanical Life	2000 Times		
Usage Temperature	Operating Temperature: -25°C ~ +85°C; Extreme Temperature: -40°C ~ +120°C		